

## **Spare parts list** (1.107-186.0) G2800 FC

## Table of contents

---

Order instructions	2
G2800 FC (1.107-186.0)	6
60 SPARE PART LIST - PERFORMANCE PLUS (8.920-324.0)	7
10 FRAME (8.921-422.0)	8
20 PUMP SET (8.921-251.0)	10
21 Cylinder head	11
8 SPARE PART LIST NOZZLE INS 020/021 PUMP (9.139-372.0)	13
9 Spare part set chemistry (2.883-862.0)	15
10 Drain plug only for replacement (4.132-007.0)	17
11 Valve (3 Stück) (2.884-916.0)	19
22 PISTON (8.921-253.0)	21
30 MOTOR (8.921-250.0)	23
31 MOTOR (8.921-254.0)	24
32 Transmission	26
40 ACCESSORIES (8.921-439.0)	28

G2800 FC (1.107-186.0)

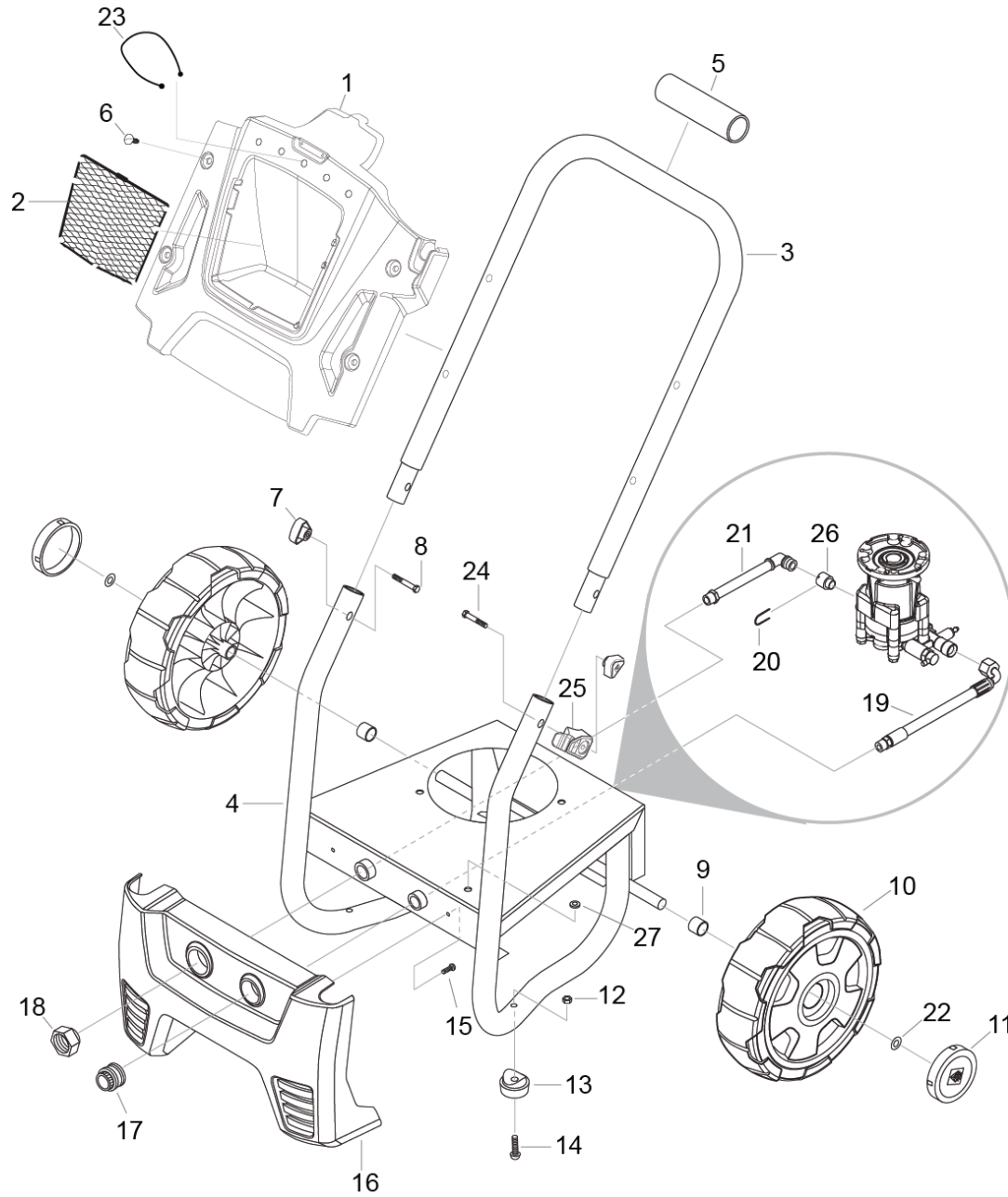
---

<b>POS</b>	<b>Article no.</b>	<b>Description</b>	<b>Quantity</b>	<b>Unit</b>
60	8.920-324.0	SPARE PART LIST - PERFORMANCE PLUS	1.000	ST

---

60 SPARE PART LIST - PERFORMANCE PLUS (8.920-324.0)

POS	Article no.	Description	Quantity	Unit	Foot note text
10	8.921-422.0	FRAME	1.000	ST	ARTICLE ONLY AVAILABLE AT KNA
20	8.921-251.0	PUMP SET	1.000	ST	ARTICLE ONLY AVAILABLE AT KNA
30	8.921-250.0	MOTOR	1.000	ST	ARTICLE ONLY AVAILABLE AT KNA
40	8.921-439.0	ACCESSORIES	1.000	ST	ARTICLE ONLY AVAILABLE AT KNA



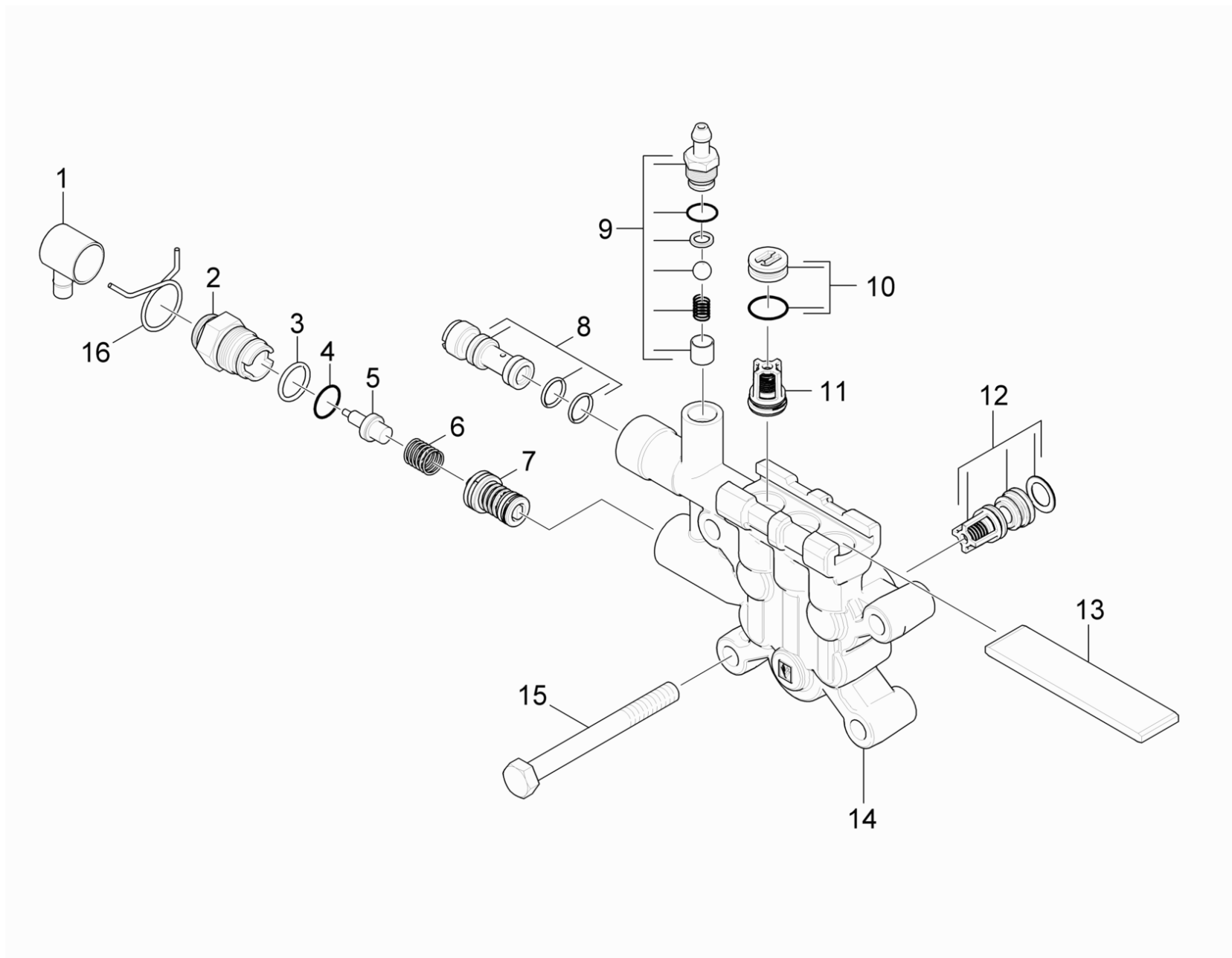
10 FRAME (8.921-422.0)

POS	Article no.	Description	Quantity	Unit	Foot note text
1	8.750-849.0	PLATE, STORAGE/NAME	1.000	ST	ARTICLE ONLY AVAILABLE AT KNA
2	8.750-943.0	NET, BUNGEE	1.000	ST	ARTICLE ONLY AVAILABLE AT KNA
3	8.920-319.0	HANDLE, TITANIUM PAINTED PP	1.000	ST	ARTICLE ONLY AVAILABLE AT KNA
4	8.920-315.0	FRAME, TITANIUM PAINTED VERTICAL PP	1.000	ST	ARTICLE ONLY AVAILABLE AT KNA
5	9.142-021.0	Foam Grip	1.000	ST	ARTICLE ONLY AVAILABLE AT KNA
6	9.196-049.0	Nylon Rivet	4.000	ST	ARTICLE ONLY AVAILABLE AT KNA
7	8.751-656.0	1/4"-20 PERFORMANCE KNOB	2.000	ST	ARTICLE ONLY AVAILABLE AT KNA
8	9.196-307.0	1/4-20 x 1-1/2 GR 2 HEX BOLT ZINC	1.000	ST	ARTICLE ONLY AVAILABLE AT KNA
9	8.751-374.0	SPACER 5/8 X 1,25 BLACK	2.000	ST	ARTICLE ONLY AVAILABLE AT KNA
10	8.751-803.0	HUMMER PERFORMANCE WHEEL, ASSY	2.000	ST	ARTICLE ONLY AVAILABLE AT KNA
11	8.751-402.0	CAP, GREY FACE	2.000	ST	ARTICLE ONLY AVAILABLE AT KNA
12	9.197-010.0	1/4-20" Nylon Insert Lock Nut with Flang	2.000	ST	ARTICLE ONLY AVAILABLE AT KNA
13	8.751-340.0	RUBBER, CONTOUR 1.25"	2.000	ST	ARTICLE ONLY AVAILABLE AT KNA
14	8.751-805.0	1/4-20 x 1-3/4 GR 5 HEX BOLT ZINC	2.000	ST	ARTICLE ONLY AVAILABLE AT KNA
15	8.751-156.0	#10-16 x 1/2" Phillips Pan Head High-Low	2.000	ST	ARTICLE ONLY AVAILABLE AT KNA
16	8.751-075.0	FRONT, LOWER COVER	1.000	ST	ARTICLE ONLY AVAILABLE AT KNA
17	8.750-698.0	COUPLER, 3/8" MALE, BRASS, A+	1.000	ST	ARTICLE ONLY AVAILABLE AT KNA
18	9.802-146.0	SWIVEL, 1/2" MP x 3/4" GHF W/STRAINER	1.000	ST	ARTICLE ONLY AVAILABLE AT KNA
19	8.751-154.0	HIGH PRESSURE HOSE 3200 psi (M22 to 3/8N	1.000	ST	ARTICLE ONLY AVAILABLE AT KNA
20	8.751-152.0	LOCK (U) 16GA	1.000	ST	ARTICLE ONLY AVAILABLE AT KNA
21	8.919-877.0	ASSY, INLET, LOW PRESSURE	1.000	ST	ARTICLE ONLY AVAILABLE AT KNA
22	8.718-870.0	NUT, .61 ID, PUSH FLAT	2.000	ST	ARTICLE ONLY AVAILABLE AT KNA
23	8.750-942.0	CORD, BUNGEE	1.000	ST	ARTICLE ONLY AVAILABLE AT KNA
24	8.751-808.0	1/4-20 X 2 1/2" GR 5 HEX BOLT ZINC	1.000	ST	ARTICLE ONLY AVAILABLE AT KNA
25	8.751-211.0	WAND, HOLDER PERFORMANCE PLUS	1.000	ST	ARTICLE ONLY AVAILABLE AT KNA
26	8.751-151.0	M/F PIPE SWIVEL (1/2) PA 6.6	1.000	ST	ARTICLE ONLY AVAILABLE AT KNA
27	8.752-087.0	Grommet, edge cover	1.000	ST	ARTICLE ONLY AVAILABLE AT KNA

20 PUMP SET (8.921-251.0)

---

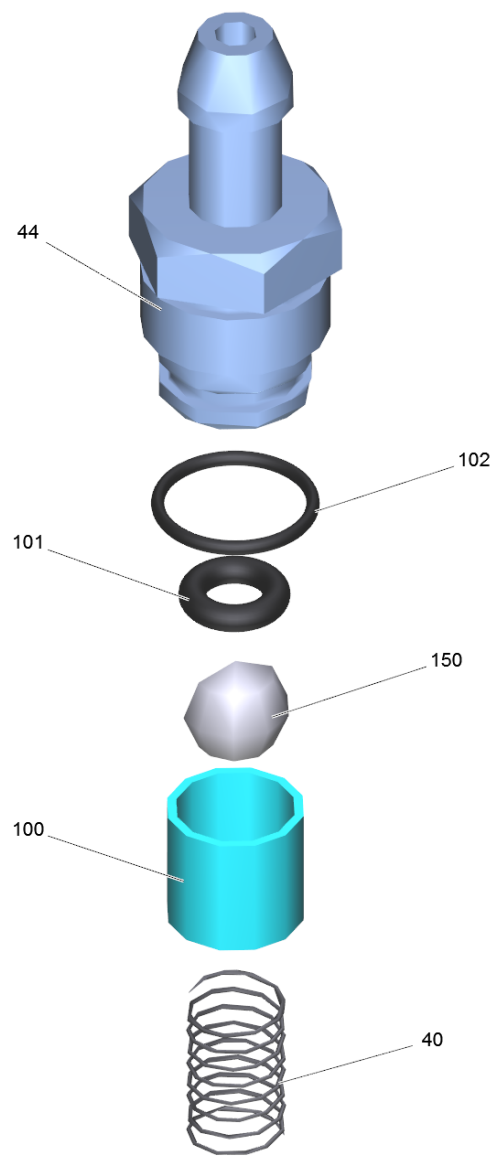
<b>POS</b>	<b>Article no.</b>	<b>Description</b>	<b>Quantity</b>	<b>Unit</b>	<b>Foot note text</b>
21		Cylinder head	1.000	ST	ARTICLE ONLY AVAILABLE AT KNA
22	8.921-253.0	PISTON	1.000	ST	ARTICLE ONLY AVAILABLE AT KNA





## 21 Cylinder head

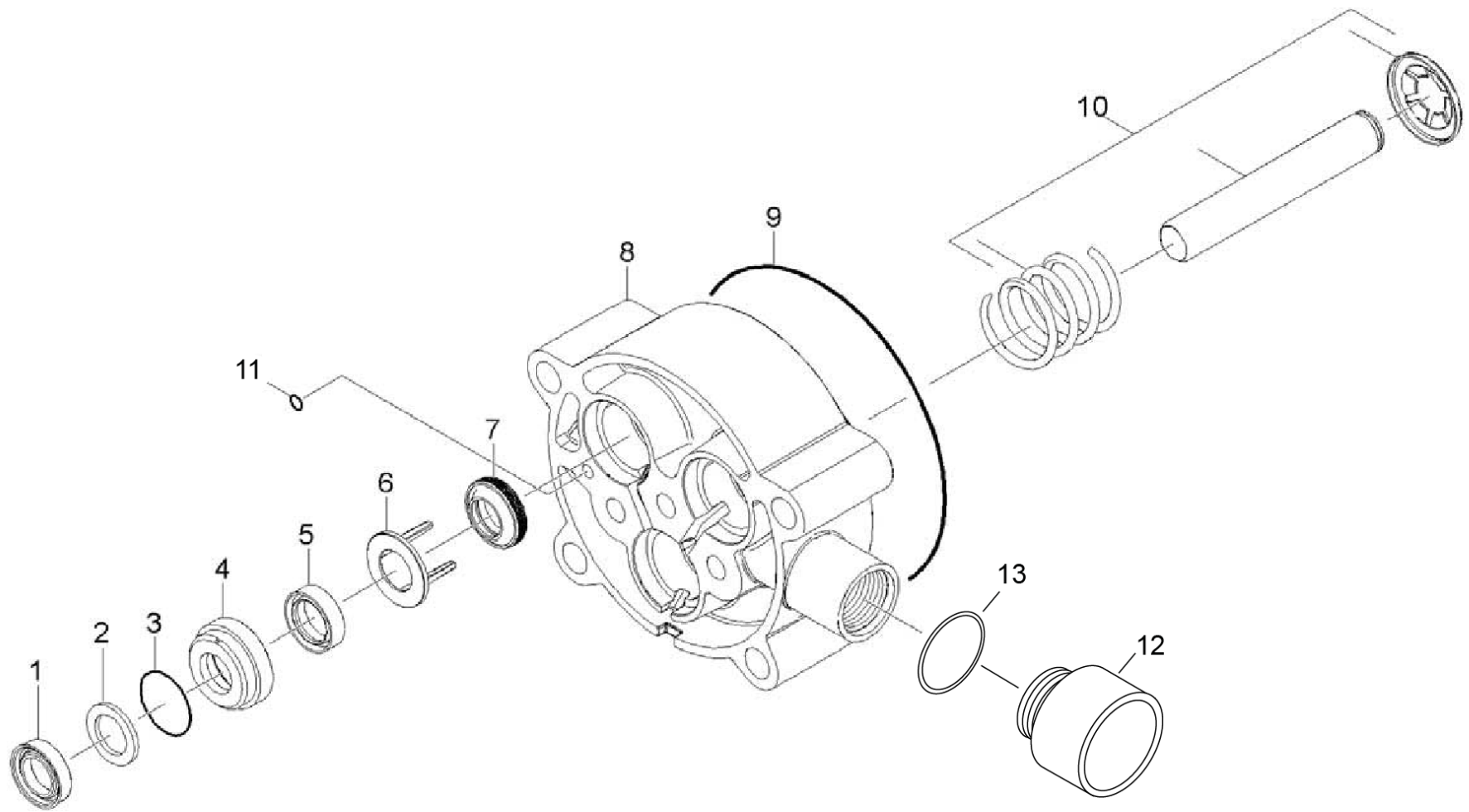
POS	Article no.	Description	Quantity	Unit	Foot note text
1	8.752-076.0	VALVE, THERMAL COVER-LONG	1.000	ST	
2	9.184-018.0	Valve screw	1.000	ST	
3	6.362-480.0	O-Ring seal 12,42x 1,78	1.000	ST	
4	7.362-507.0	O-Ring seal 8x2-NBR 90 DIN 3770	1.000	ST	
5	6.413-403.0	Therموالve 60°	1.000	ST	
6	5.332-290.0	Helical spring	1.000	ST	
7	9.175-005.0	Unloader Assembly	1.000	ST	
8	9.139-372.0	SPARE PART LIST NOZZLE INS 020/021 PUMP	1.000	ST	
9	2.883-862.0	Spare part set chemistry	1.000	ST	
10	4.132-007.0	Drain plug only for replacement	3.000	ST	
11	2.884-916.0	Valve (3 Stück)	1.000	ST	SET CONSITSTS OF 3X VALVE
12	9.139-376.0	Valve 3 St.	1.000	ST	SET CONSITSTS OF 3X VALVE
13	5.003-062.0	Plate	1.000	ST	
14	9.135-015.0	Cylinder Head-Machined	1.000	ST	
15	7.304-098.0	Hexagonal head screw M8x80-8.8-A2E ISO	4.000	ST	
16	8.752-032.0	CLAMP, TENSION SPRING OD 11/16"	1.000	ST	



## 9 Spare part set chemistry (2.883-862.0)

---

<b>POS</b>	<b>Article no.</b>	<b>Description</b>	<b>Quantity</b>	<b>Unit</b>
40	5.332-258.0	Helical spring	1.000	ST
44	5.443-448.0	Nipple chemistry	1.000	ST
100	5.110-714.0	Sleeve	1.000	ST
101	6.363-597.0	O-Ring seal 5,28 x 1,78	1.000	ST
102	6.362-451.0	O-Ring seal 8,0 x 1,0	1.000	ST
110	6.376-036.0	Label spare parts neutrally 65x55 MM	1.000	ZST
130	6.590-384.0	Bag PE 80x120 MM neutral	1.000	ST
150	7.401-908.0	Sphere 7 G300 -1.4301 DIN 5401	1.000	ST



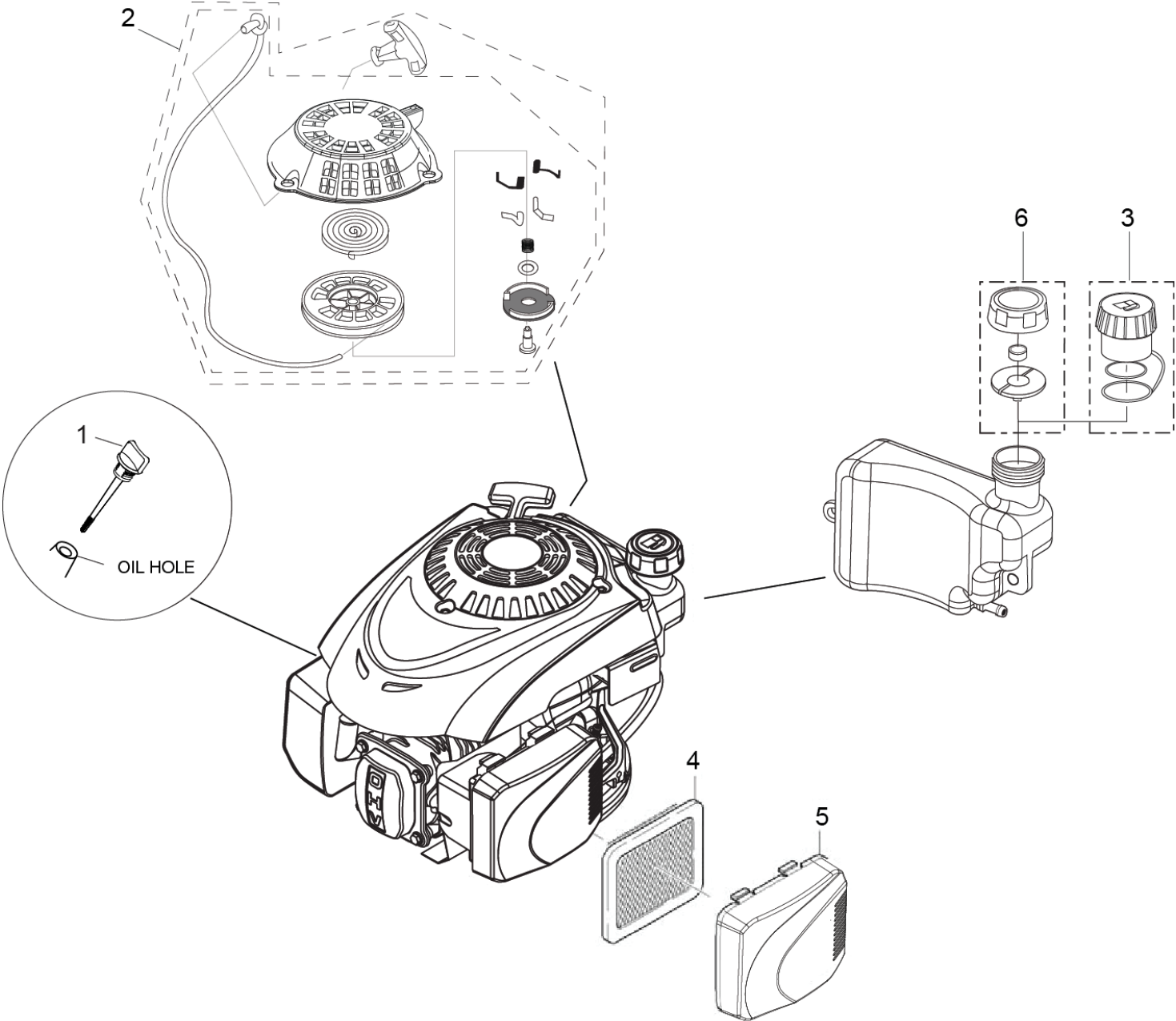
22 PISTON (8.921-253.0)

POS	Article no.	Description	Quantity	Unit	Foot note text
1	9.177-301.0	HIGH PRESSURE SEAL	3.000	ST	ARTICLE ONLY AVAILABLE AT KNA
2	9.177-310.0	BACK RING-HIGH PRESSURE SEAL-	3.000	ST	ARTICLE ONLY AVAILABLE AT KNA
3	6.362-833.0	O-Ring seal 21,5 x 1,78	3.000	ST	ARTICLE ONLY AVAILABLE AT KNA
4	9.155-011.0	HOUSING-LOW PRESSURE SEAL	3.000	ST	ARTICLE ONLY AVAILABLE AT KNA
5	6.363-058.0	Grooved ring 12x18x5 (90Shore)	3.000	ST	ARTICLE ONLY AVAILABLE AT KNA
6	9.134-016.0	SPACER-OIL SEAL & SEAL HSG.	3.000	ST	ARTICLE ONLY AVAILABLE AT KNA
7	6.365-393.0	Oil sealing 12x20x4/6	3.000	ST	ARTICLE ONLY AVAILABLE AT KNA
8	9.133-007.0	Piston Guide-Machined	1.000	ST	ARTICLE ONLY AVAILABLE AT KNA
9	6.362-471.0	O-Ring seal 80,0 X 3,0 -NBR 70	1.000	ST	ARTICLE ONLY AVAILABLE AT KNA
10	9.139-370.0	SPARE PART LIST PISTON 020/021 PUMP	3.000	ST	ARTICLE ONLY AVAILABLE AT KNA
11	6.363-626.0	O-Ring seal 4,47x1,78 -NBR90	1.000	ST	ARTICLE ONLY AVAILABLE AT KNA
12	8.751-151.0	M/F PIPE SWIVEL (1/2) PA 6.6	1.000	ST	ARTICLE ONLY AVAILABLE AT KNA
13		O-RING 15ID X 2 CS HNBR SHORE-80 (BLACK)	1.000	ST	ARTICLE ONLY AVAILABLE AT KNA

30 MOTOR (8.921-250.0)

---

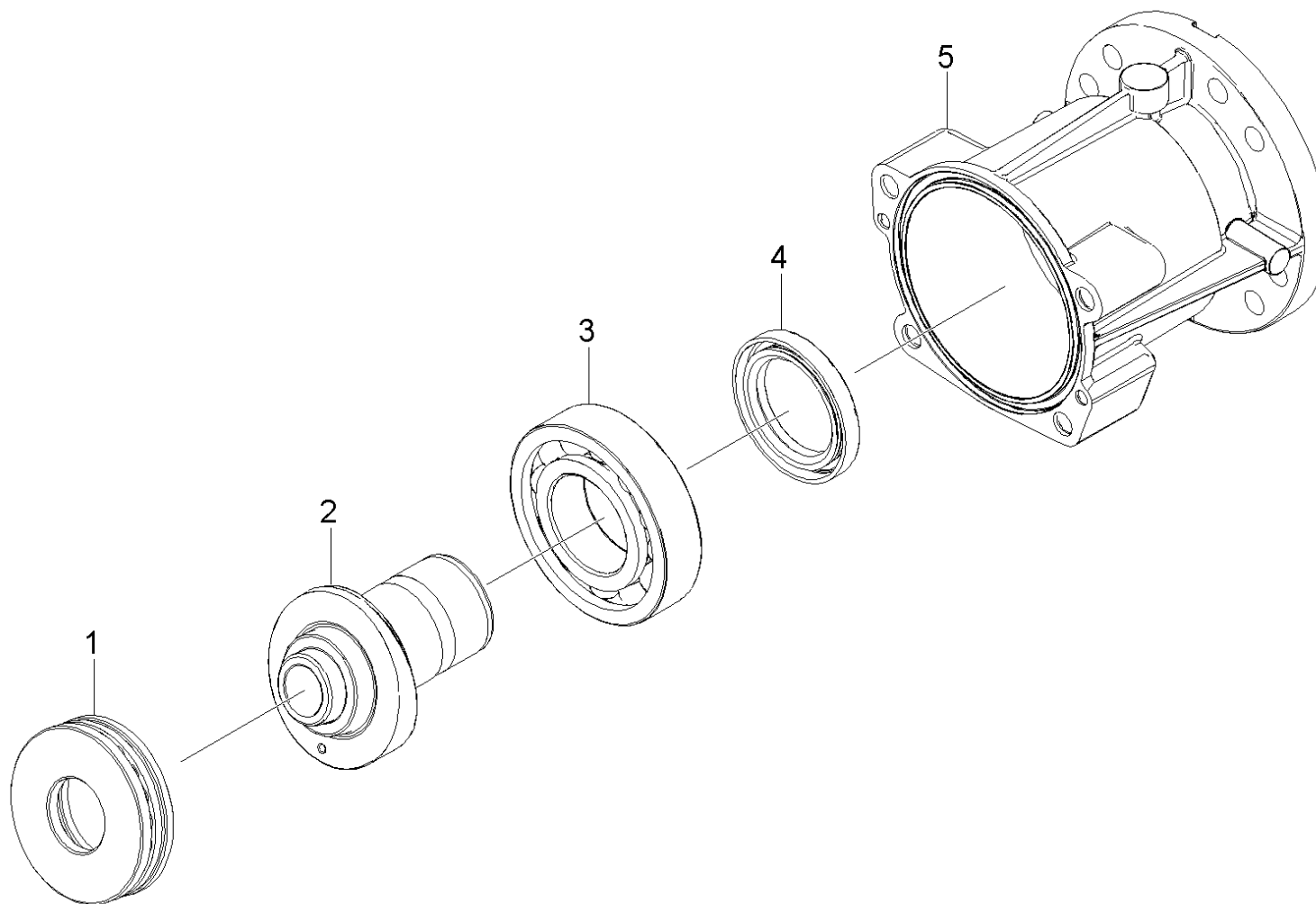
<b>POS</b>	<b>Article no.</b>	<b>Description</b>	<b>Quantity</b>	<b>Unit</b>	<b>Foot note text</b>
31	8.921-254.0	MOTOR	1.000	ST	ARTICLE ONLY AVAILABLE AT KNA
32		Transmission	1.000	ST	ARTICLE ONLY AVAILABLE AT KNA



31 MOTOR (8.921-254.0)

POS	Article no.	Description	Quantity	Unit	Remark	Foot note text
1	8.750-327.0	SUBASSEMBLY, OIL DIPSTICK	1.000	ST		ARTICLE ONLY AVAILABLE AT KNA
2	8.750-378.0	STARTER, RECOIL	1.000	ST		ARTICLE ONLY AVAILABLE AT KNA
3	8.753-263.0	FUEL CAP ASSY EPA/CARB III	1.000	ST		ARTICLE ONLY AVAILABLE AT KNA
4	8.750-395.0	ELEMENT SUBASSEMBLY, AIR CLEANER	1.000	ST		ARTICLE ONLY AVAILABLE AT KNA
5	8.750-396.0	COVER, AIR CLEANER CASE	1.000	ST		ARTICLE ONLY AVAILABLE AT KNA
6	8.750-407.0	TANK ASSY, FUEL	1.000	ST	(AUSTRALIAN MODELS)	ARTICLE ONLY AVAILABLE AT KNA

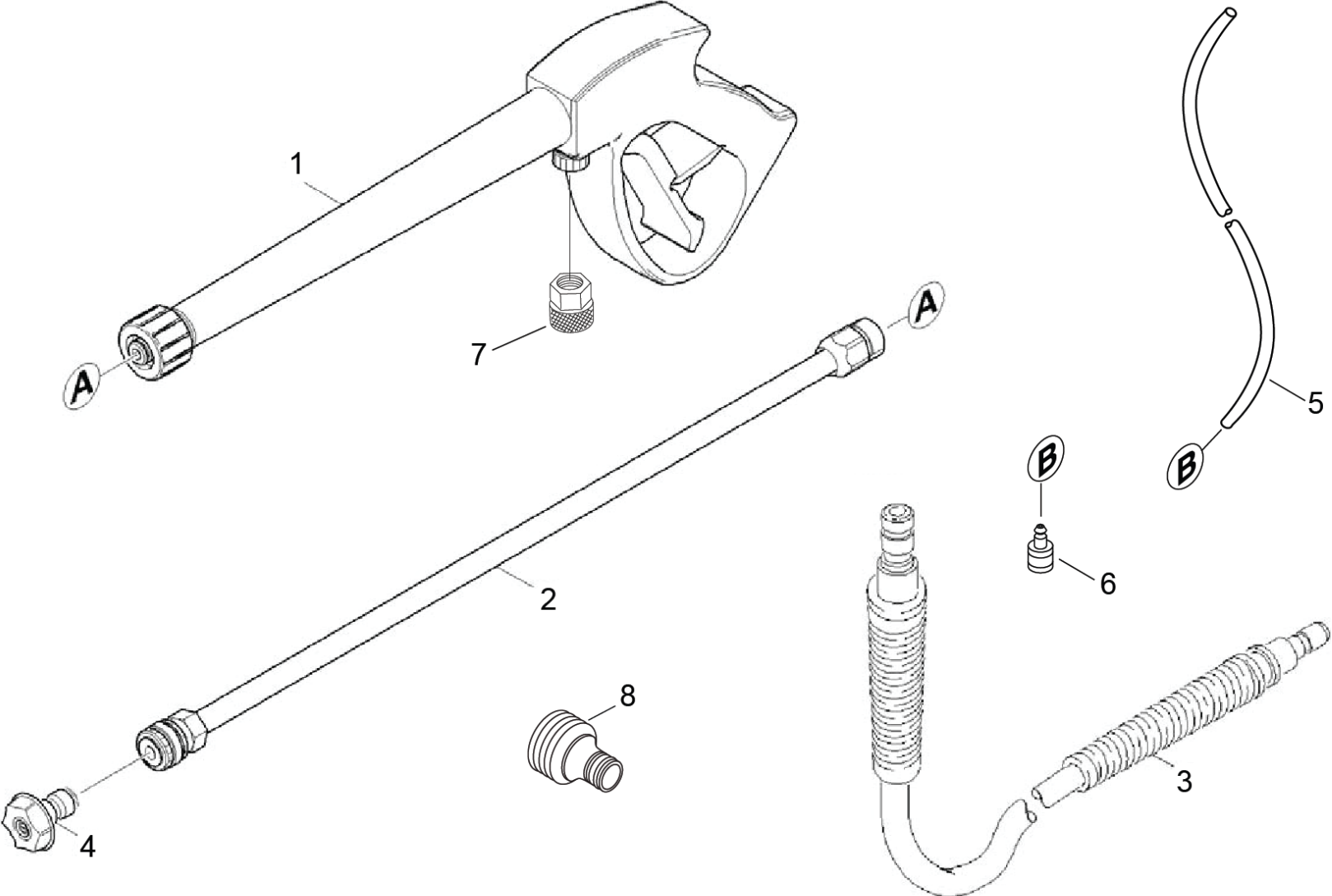




## 32 Transmission

---

<b>POS</b>	<b>Article no.</b>	<b>Description</b>	<b>Quantity</b>	<b>Unit</b>
1	9.165-355.0	GROOVED BALL BEARING	1.000	ST
2	9.135-017.0	Swash Plate Vertical-Machined-	1.000	ST
3	9.165-356.0	BALL BEARING NO. 6207	1.000	ST
4	9.177-314.0	Radial Seal, 35x52x7	1.000	ST
5	9.135-016.0	Oil Housing Vertical Machined	1.000	ST



40 ACCESSORIES (8.921-439.0)

POS	Article no.	Description	Quantity	Unit	Remark	Foot note text
1	9.112-012.0	AL BIT101 TRIGGER GUN	1.000	ST		ARTICLE ONLY AVAILABLE AT KNA
2	9.112-533.0	Lance-AL Quick Connect-Male 3000 psi	1.000	ST		ARTICLE ONLY AVAILABLE AT KNA
3	8.753-422.0	HOSE, HP DN6 25FT, 3600PSI QD	1.000	ST		ARTICLE ONLY AVAILABLE AT KNA
		<b>Item text1:</b> (2600 PC MODEL)				
4	9.104-028.0	QUICK CONNECT NOZZLE KIT (0325)	1.000	ST		ARTICLE ONLY AVAILABLE AT KNA
		<b>Item text1:</b> (2600 PC MODEL)				
4	9.104-016.0	QUICK CONNECT NOZZLE KIT (0325)	1.000	ST	(2800 Model)	ARTICLE ONLY AVAILABLE AT KNA
4	8.751-356.0	KIT, NOZZLE, QUICK DISCONNECT (035)	1.000	ST	(2600 Model)	ARTICLE ONLY AVAILABLE AT KNA
5	6.388-216.0	Hose DN 5	1.000	M	TO ORDER AS CUT GOODS	ARTICLE ONLY AVAILABLE AT KNA
6	5.731-652.0	Filter with weight	1.000	ST		ARTICLE ONLY AVAILABLE AT KNA
7	9.154-045.0	Quick Connect	1.000	ST		ARTICLE ONLY AVAILABLE AT KNA
8	6.645-538.0	Tap adaptor complete US w/m thread	1.000	ST	(AUSTRALIAN MODEL)	ARTICLE ONLY AVAILABLE AT KNA